



GOLDEN METAL
WALLS & CEILINGS SPECIALISTS

Profile Presentation - 2020





GOLDEN METAL
WALLS & CEILINGS SPECIALISTS



Welcome



WELCOME TO

جولدن ميتال للصناعات الهندسية
Golden Metal Engineering Industries

Head office & Factories

Al Obour industrial City,
Unite 21 - Division I2001, Northern Extension
Tel.: (00202) 4489 0461
Fax.: (00202) 4489 0369
Mobile : 0122 / 781 8785
e.mail : ceiling-sales@goldenmetalgroup.com





Quick Review Index

P1	Welcome Page
P2	Quick Review Index
P3	Company Profile
P4	Organization Chart (GM Group)
p5	Products & Work Force Distribution
p6	Export Markets
p7	Research Centres
p8 - 10	Certifications acquired
p11	GM Q.C. Statement
p12	Gypsum Ceilings Quality Components
p13 - 23	Walls & Ceiling Systems Assembly & Components
p24 - 31	Metal Strips Systems Assembly & Components
p32 - 36	Metal Tiles systems Components
p37 - 40	GM previous and Current Projects



HISTORY:

Golden Metal Industries, established in 2003, and is located in Al-Obour industrial city. The company has been in operation for nearly 15 years, it has achieved so much which is due to the vast and long experience that the founders enjoyed for more than three decades.

Golden Metal, is considered on of the largest in the field of manufacturing accessories for dropped ceiling being Gypsum, Metal Tiles, Metal Strips, as well as Gypsum wall and partitions.

Golden Metal Company, enjoys an excellent reputation because it focuses on its customer satisfaction and adhere to the highest standards of quality required by architects and interior designer specially the needs for materials that are resistant to Fire, Humidity, bacteria and sound reduction.

In Simple words, **Golden Metal** team is your honest advisor for all your projects, be it your home or your tower.

PHILOSOPHY:

Golden Metal, philosophy is to apply the methods of strict quality during all phases of Production and the execution of projects by following all international laws & all requirements that apply to projects efficiently and accurately.

Golden Metal, know that the success of professional and financial support are based on the creation and development of lasting relationships with its customers (current and future) through precision in quality communication and services.

Golden Metal, Realizes that the most important factor for success is its reputation and clients satisfaction, which is accomplished with creativity, integrity and the talent of its employees.

Golden Metal, to provide superior products and services with highest standards. to achieve its Ultimate goal being Clients' satisfaction.

MISSION & VISION:

Golden Metal, is committed to earn the respect, and confidence of its clients by providing the required projects, large or small with the highest standards of quality.

Is to reflect imagination and intelligence in its works by creating exceptional & innovative services that enhance and enrich the human living environment.

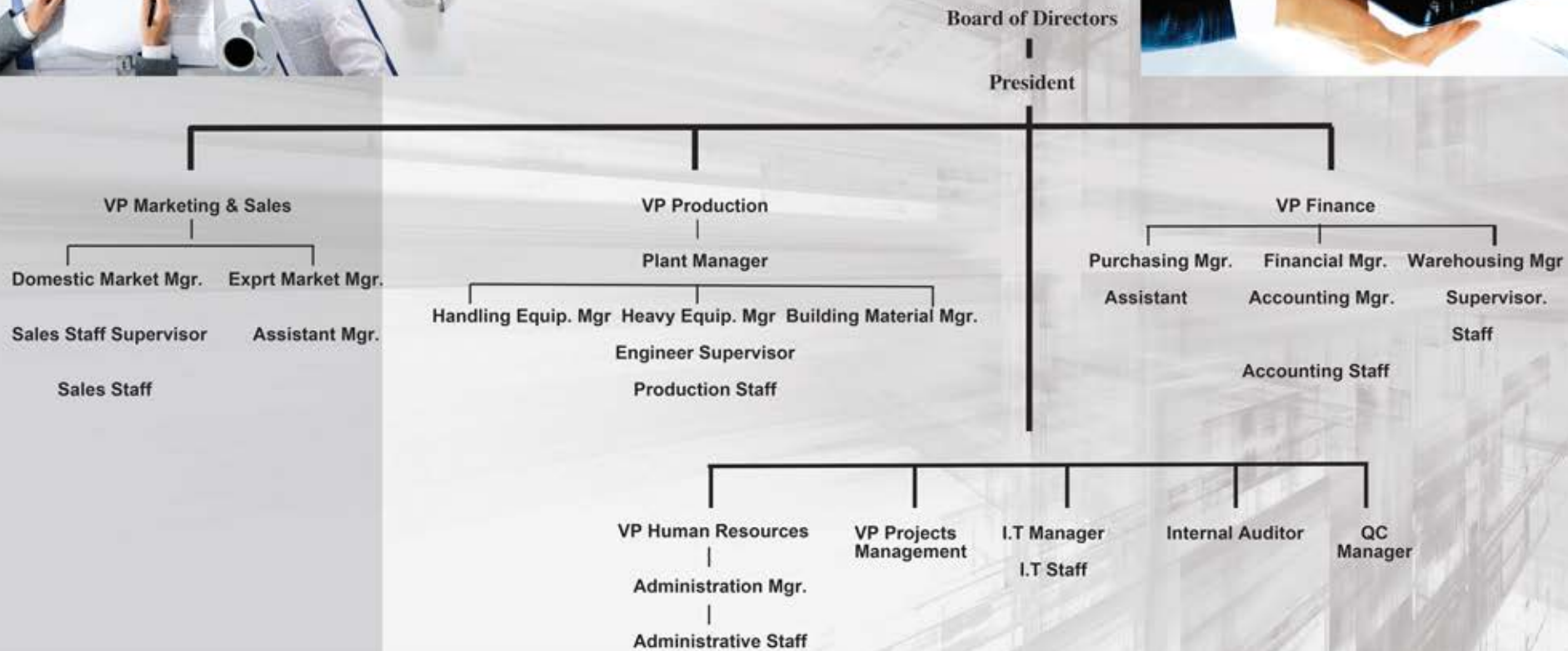
Maintain leadership in competitive environment through proper use of technology and skills as well as, its ethical and lawful practices.

Our vision for the future includes the aspiration to be counted among the international entities in the field.





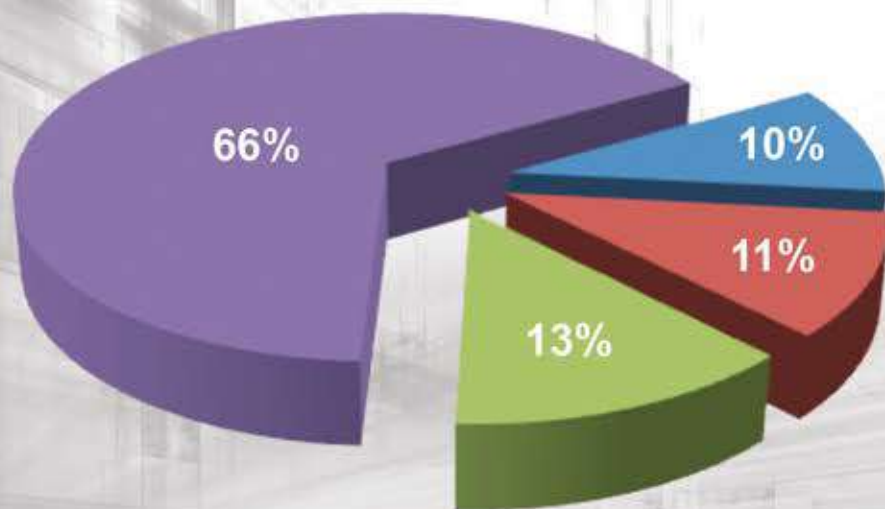
Organization Chart



Products & Work Force Distribution



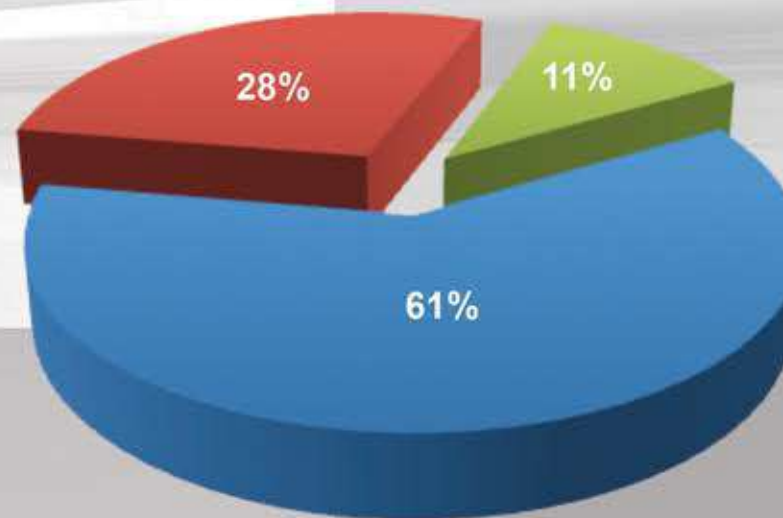
Work Force Chart



- Engineers
- Administrative
- Sales staff
- Labour

Production Chart

- Drywalls Systems
- Tiles Systems
- Strips Systems





Export Market
Activities

Major Export
Business Countries



Saudi Arabia

Libya

Jordan

Algeria

Sudan

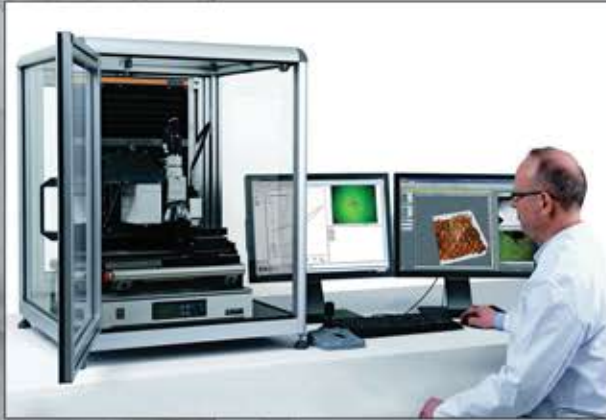
Uganda

Rwanda

Iraq

Lebanon

Research Centers



National Research Center (NRC)

Housing Building National Research Center (HBRC)

Building Physics Institute (BPI)

Standardization center

SGS Laboratories

Golden Metal in-house Quality Control Labs.





Certifications & Acknowledgement

NATIONAL RESEARCH CENTRE
TARIK EL DOUKI, CAIRO, EGYPT
Central Unit For Analysis And
Scientific Services (CUASS)
Material Test Lab.

المركز القومي للبحوث
القاهرة، جمهورية مصر العربية
وحدة التحليل والخدمة العلمية والبحثية
مركز البحوث القومية

نتائج اختبار حمل شد (Pull off test)
على عينة من الخرسانة غير ادم
والمرتبة من شمسرية جدران مائل لتساعات الهامسية

رقم العينة (Sample No.)	النتيجة (Result)
1	4.81
2	4.74
3	4.47
4	3.87

نتائج اختبار حمل شد (Pull off test)
على عينة من الخرسانة غير ادم
والمرتبة من شمسرية جدران مائل لتساعات الهامسية

رقم العينة (Sample No.)	النتيجة (Result)
1	4.77
2	4.74
3	4.77

Stamp: [National Research Centre Logo]

Info: 191-192 | Tel: 0203356722 / 33356833 | Fax: 0203331384 | Email: nrc192a@yahoo.com

Building Physics Institute (BPI) | **Housing & Building National Research Center (HBRC)**

Measurements of Sound absorption coefficient of Metal tiles According to BS EN ISO 354:2003

Sample	Perforated metal tiles with 1 inch glass wool	Supplier name	Golden metal
Sample specification	100 mm x 100 mm x 12mm thick tile 0.2 mm perforation 10% metal plate thin 2.5 mm 1 inch glass wool density 40 kg/m ³	Date of test	4/3/2010

RESULTS

Third octave frequency	Sound absorption coefficient	NRC
100	0.12491	0.85
125	0.18022	
160	0.28701	
200	0.39207	
250	0.46728	
315	0.51262	
400	0.57198	
500	0.61884	
630	0.65924	
800	0.69349	
1000	0.72284	
1250	0.74618	
1600	0.76278	
2000	0.77284	
2500	0.77698	
3150	0.77418	
4000	0.76108	

Task Supervisor: Eng. A. S. Shabhy | Task Manager: Asst. Prof. Dr. M. Hamed El-Dew | Head of Institute: Prof. Dr. M. A. El-Dew

Stamp: [HBRC Logo]

Info: HBRC | Tel: 0203356722 / 33356833 | Fax: 0203331384 | P.O. BOX 1376 | 8783-Tekki St., Daaki, Cairo, Egypt

Building Physics Institute (BPI) | **Housing & Building National Research Center (HBRC)**

Measurements of Ceiling Attenuation Class According to ASTM E1414 & ASTM E413

Tested Sample	Non perforated metal tile type AFT with 25 mm layer of rock wool	Supplier name	Golden Metal CO.
Sample specification	Steel metal tile of thickness 0.6 mm with thin PVC back layer -25 mm layer of rock wool of density 70 kg/m ³	Date of test	

RESULTS

Third octave frequency	Normalized Ceiling Attenuation	CAC
100	15.78	38
125	15.84	
160	16.08	
200	16.54	
250	16.83	
315	16.85	
400	17.26	
500	17.88	
630	18.21	
800	18.52	
1000	18.41	
1250	18.09	
1600	18.20	
2000	18.58	
2500	18.20	
3150	18.41	
4000	18.43	

Task Supervisor: Dr. M. S. Shabhy | Task Manager: Asst. Prof. Dr. M. Hamed El-Dew | Head of Institute: Prof. Dr. M. A. El-Dew

Stamp: [HBRC Logo]

Info: HBRC | Tel: 0203356722 / 33356833 | Fax: 0203331384 | P.O. BOX 1376 | 8783-Tekki St., Daaki, Cairo, Egypt

July 16, 2014

TO WHOM IT MAY CONCERN

Mada Gypsum Company is working with Golden Metal as one of its channel partners in Egypt.

Mada Gypsum Company confirms that a drywall system comprising of Mada Plasterboard and Golden Metal profiles will meet the specification of a particular system provided that each individual component of the system is complying with its respective ASTM standard.

Mada Marketing Team

Stamp: [Mada Gypsum Logo]

Certificate of Registration
GOLDEN METAL FOR ENGINEERING INDUSTRIES G.M

ADDRESS- AL OUBOUR CITY, INDUSTRIAL AREA, CAIRO - EGYPT

QA CERTIFICATION SERVICES PVT. LTD.

ISO 9001:2008

MANUFACTURING OF LIFTING, HANDLING AND FALSE CEILING EQUIPMENT

Certificate No- Q-EG-15.12.007

IAF | ISO 9001:2008

Stamp: [QA Certification Services Logo]

SAINT-GOBAIN GYPROC

To whom it may concern

This is to certify that the metal profiles systems produced by Golden Metal Company **CM GOLDEN METAL** Group Ceiling Systems

Complies with the specifications of Saint Gobain Gyproc (Formerly Placo) and form a high qualified complete system.

This is to certify referring to Golden Metal request with no responsibility towards Saint Gobain Gyproc.

Stamp: [Saint-Gobain Gyproc Logo]

Building Physics Institute (BPI) Acoustics Activity Laboratory | **Housing & Building National Research Center (HBRC)**

Impact Sound Pressure Level According to ISO 140-4, ISO 140-8

Manufacturer	Golden Metal	Test sample	Transfered concrete slab floor of thickness 12 cm and suspended gypsum board ceiling system with Isolator Hanger model GS200 installed with dry wall ceiling consists of 2 Layers Gypsum Board 12.5mm with steel structure model C008 Ceiling Metal Board Name
Receiving room volume	115 m ³		
Frequency (Hz)	100, 125, 160, 200, 250, 315, 400, 500, 630, 800, 1000, 1250, 1600, 2000, 2500, 3150, 4000		
Weighted Sound Pressure Level (dB)	71.4, 73.2, 75.8, 78.5, 81.2, 84.0, 86.8, 89.6, 92.4, 95.2, 98.0, 100.8, 103.6, 106.4, 109.2, 112.0		

Product Characteristics:
The GS200 ceiling system is a unique system for gypsum ceiling that consists of suspended metal, main channel, secondary channel, transferable and primary angle made from fire retardant galvanized steel. The system complies with BS8133:1995.

About Golden Metal - Suspended ceiling Specialist:
Golden Metal is one of the largest manufacturers in the field of manufacturing extensive for dropped ceiling including gypsum boards, metal tiles, metal strips or metal suspension and partitions. Golden Metal is a ISO9001 certified and ISO 14001:2004.

Technical Staff:
Tech. Eng. Eng. A. Y. El-Masry
Activity Responsible: Dr. A. S. Sedky
Head of Institute: Prof. Dr. M. H. El-Hawary

Golden Metal Egypt
GS20 SYSTEM - SUSPENDED CEILING

Product Rating:

- The product contains 49% recycled materials that contribute to achieve LEED MR Credit 4.
- Depending on the project location the product fulfills the requirement for regional extracted and manufactured material that might contribute to achieve LEED MR Credit 5.
- The product has a great potential to be recycled after the product life cycle that may contribute to achieve LEED MR Credit 2.
- All the product contents comply with the limits established in Green Seal Standard that contribute to achieve LEED EQ Credit 4.

Material and Resources (MR) - LEED Category:

MR Credit 2: Construction Waste Management	2-2 points
MR Credit 4: Recycled Content	2-2 points
MR Credit 5: Regional Materials	2-2 points

Indoor Environmental Quality (IEQ) - LEED Category:

IEQ Credit 4.5: Low emitting material - Adhesives & Sealants	1 point
IEQ Credit 4.2: Low emitting material - Paintings & Coatings	1 point

Product Characteristics:
The GS200 ceiling system is a unique system for gypsum ceiling that consists of suspended metal, main channel, secondary channel, transferable and primary angle made from fire retardant galvanized steel. The system complies with BS8133:1995.

About LEED:
The Leadership in Energy and Environmental Design (LEED) Green Building Rating System™ is the nationally accepted benchmark for the design, construction, and operation of high-performance green buildings. LEED promotes a whole building approach to sustainability by measuring performance across key areas of human and environmental health, sustainable site, water efficiency, energy and atmospheric environmental and materials, indoor environmental quality, innovation in design and regional priority credits.

Golden Metal for Engineering Industries
Head Office & Factory: 10000 El-Dokki City, Cairo 11 - Bldg. 21 - Golden LEED Certified International for product certified for sustainable building. Model No. GS20000
Email: info@goldenmetal.com
P.O. Box: 179, El-Dokki, Cairo, Egypt

Building Physics Institute (BPI) Acoustics Activity Laboratory | **Housing & Building National Research Center (HBRC)**

GS200

Figure 1: Set out of Isolator Hanger model GS200

Picture 2: Isolator Hanger model GS200

Technical Staff:
Tech. Eng. Eng. A. Y. El-Masry
Activity Responsible: Dr. A. S. Sedky
Head of Institute: Prof. Dr. M. H. El-Hawary



Certifications & Acknowledgement

NATIONAL RESEARCH CENTER | **المركز القومي للبحوث**

Thickness of galvanized layer test
On a sample of **Stade 70mm width, 1.4mm thickness**
Delivered from **Golden Metal for Dropped Ceilings System**

The test	Results
Thickness of galvanized layer (micron)	26.00
Weight of galvanized layer (g/m ²)	183.00

Technical Staff:
Tested by: Dr. M. H. El-Hawary
Supervisor: Dr. A. S. Sedky
Head of Institute: Prof. Dr. M. H. El-Hawary

Housing & Building National Research Center | **المركز القومي للبحوث الإسكان والبناء**

Pull Out Test Results for Steel Section

Applicant: Golden Metal
Project Title: ...
Delivery Date: 20/12/2006
Delivery No.: 1332
Section Type: G228

Sample No.	1	2	3
Force (kN)	220	218	220

General Notes:
The above results are valid for the above tested specimens by the client.
The above results are valid only for the tested specimens.

Technical Staff:
Tested by: Dr. M. H. El-Hawary
Supervisor: Dr. A. S. Sedky
Head of Institute: Prof. Dr. M. H. El-Hawary

Housing & Building National Research Center | **المركز القومي للبحوث الإسكان والبناء**

Flexural Strength Test Results for Steel Section

Applicant: Golden Metal
Project Title: ...
Delivery Date: 20/12/2006
Delivery No.: 1332
Section Type: G228

Sample No. 1	Sample No. 2	Sample No. 3	
W (kg/m)	17.5	17.5	17.5
Deflection (mm)	14	14	14
W (kg/m)	21	21	21
Deflection (mm)	18	18	18
W (kg/m)	24	24	24
Deflection (mm)	22	22	22
W (kg/m)	27	27	27
Deflection (mm)	26	26	26
W (kg/m)	30	30	30
Deflection (mm)	30	30	30
W (kg/m)	33	33	33
Deflection (mm)	34	34	34
W (kg/m)	36	36	36
Deflection (mm)	38	38	38

Section Properties:
Thickness = 0.8 mm
I_x = 8346.8 mm⁴
I_y = 56325.4 mm⁴

General Notes:
According to EN 1035 part 1 the maximum allowable deflection not exceeds 1/300 L₀.
L₀ = 500 - 2.4 mm
The above results are valid for the above tested specimens by the client.
The above results are valid only for the tested specimens.

Technical Staff:
Tested by: Dr. M. H. El-Hawary
Supervisor: Dr. A. S. Sedky
Head of Institute: Prof. Dr. M. H. El-Hawary



Certifications & Acknowledgement

Housing & Building National Research Center
Building Materials Research & Quality Control Institute

المرکز القومي للبحوث الإسكانية والبناء
المعهد القومي للبحوث والسيطرة على الجودة

Flexural Strength Test Results for Steel Section

Applicant: Golden Metal
Project Title: _____
Delivery Date: 20/3/2009
Delivery No: 1232
Section Type: C 28

Section Dimensions: Thickness = 1.8 mm, In = 1499.6 mm²

Cross Sectional Area = 48 mm²
Iy = 930.6 mm⁴

Sample No. 1	Sample No. 2		
W (kgm)	Deflection (mm)	W (kgm)	Deflection (mm)
17.3	0.5	16	0.3
19	0.7	16.6	0.6
21.6	1.2	17.8	1.0
23.7	1.8	19.2	1.5
25.7	2.5	20.8	2.2
27.8	3.2	22.4	3.0
29.8	4.0	24.0	3.8
31.8	4.8	25.6	4.6

General Notes:
• According to DIN 18168 part 1 the maximum allowable deflection not exceeds 1/700 Lx
(200/700 = 2.8 mm)
• The above results are valid for the above tested specimens by the client.
• The above results are valid only for the tested specimens.

Tested by: *Dr. M. H. El-Sayed*
Supervisor: *Dr. M. H. El-Sayed*
Head of Institute: *Prof. Dr. M. H. El-Sayed*

GM
Assured
Quality

Building Physics Institute (BPI) / Housing & Building National Research Center (HBRC)

Supplier Name: GOLDEN METAL Co.
Testing Date: 01/02/2010
Delivery No: 0177649
Supplier Code: 892/75/016

Testing Name: reflectivity
Delivery Date: 27/01/2010

**Thermal laboratory
Optical properties Test report**

Test Results:

Test sample	Reflectivity, %	standard
1- White Roof tile with dimensions (60x60) cm.	81%	ASTM C 1549
2- Perforated white Roof tile with dimensions (60x60) cm covered by black thin sheet.	54 %	

Remarks:
• In this test the reflectivity is determined for the delivered test samples using reflectometer in the full solar wavelength spectrum.
• The test was conducted in accordance with the standard specification ASTM C 1549.
• The environmental test conditions: (temp. = 24 °C & R.H. = 55%)
• This result is only valid for the samples delivered to the Thermal Laboratory.

Test. Eng: *S. Shaban*
Head of Technical group: *Prof. Dr. M. H. El-Sayed*
Technical Manager: *Prof. Dr. M. H. El-Sayed*

Building Physics Institute (BPI) / Housing & Building National Research Center (HBRC)

Supplier Name: *مركز البحوث الإسكانية والبناء*
Testing Name: FIRE RATING TEST
Delivery No: 0116034
Material Type: Metal (steel grilling tiles with rock wool insulation)

Delivery Date: 15/3/2009
Testing Date: 18/3/2009
Sample Code: 892/75/030

**Thermal Laboratory
Fire rating test results**

Property	Result
Fire Rating	13 (minutes)

تم إجراء اختبار مقاومة الحريق لمعدن التسليح المغطاة بالصوف الصخري العازل الحراري.

SGS TEST REPORT

Ref: Q2MR100409940
Date: Apr 19, 2010
Page: 2 of 2

TEST(S) REQUESTED:
Selected test(s) as requested by applicant: Assessment of Antimicrobial activity

TEST METHOD(S):
JIS Z 2801:2000 Antimicrobial products - Test for antimicrobial activity and efficacy

TEST ORGANISM(S):
Staphylococcus aureus ATCC6538P

Name of test bacteria (Strain number)	Concentration of bacteria (colony)	The number of bacteria recovered (colony) at 24h contact time	Log value of antimicrobial activity
Staphylococcus aureus ATCC6538P	1.2x10 ⁷	2.4x10 ⁷	4.1

REMARK: The control sample was provided by SGS laboratory.
CONCLUSION:
Pass. The log value of antimicrobial activity against Staphylococcus aureus is 4.1, comply with JIS Z 2801:2000 Specification for antimicrobial activity and efficacy of antimicrobial products (Log value of antimicrobial activity > 2.0).
Sample photo:

المرکز القومي للبحوث الإسكانية والبناء
المعهد القومي للبحوث والسيطرة على الجودة

تم إجراء اختبار مقاومة الحريق لمعدن التسليح المغطاة بالصوف الصخري العازل الحراري.

تم إجراء اختبار مقاومة الحريق لمعدن التسليح المغطاة بالصوف الصخري العازل الحراري.

تم إجراء اختبار مقاومة الحريق لمعدن التسليح المغطاة بالصوف الصخري العازل الحراري.

تم إجراء اختبار مقاومة الحريق لمعدن التسليح المغطاة بالصوف الصخري العازل الحراري.

GM Quality Control Assurance



To whom this may Concern,

Golden Metal Engineering Industries certify that all Products for suspended Ceilings and Drywall Partitions are made from The highest quality of materials that Comply with International Standards for Specification and tests listed below ;

No	item	Standard
1	Drywalls Systems	American Standard : ASTM C 645 American Standard : ASTM A 653 American Standard : ASTM E 119 American Standard : ASTM E 90 American Standard : ASTM C 635 DIN : 18168
2	Metal Ceilings Products	American Standard : ASTM C 423 American Standard : ASTM E 1414 & ASTM E413 American Standard : ASTM C 1549 American Standard : ASTM E 119 Japanese Standard : JIS Z 2801 : 2000



GYPSUM
Ceiling
Systems

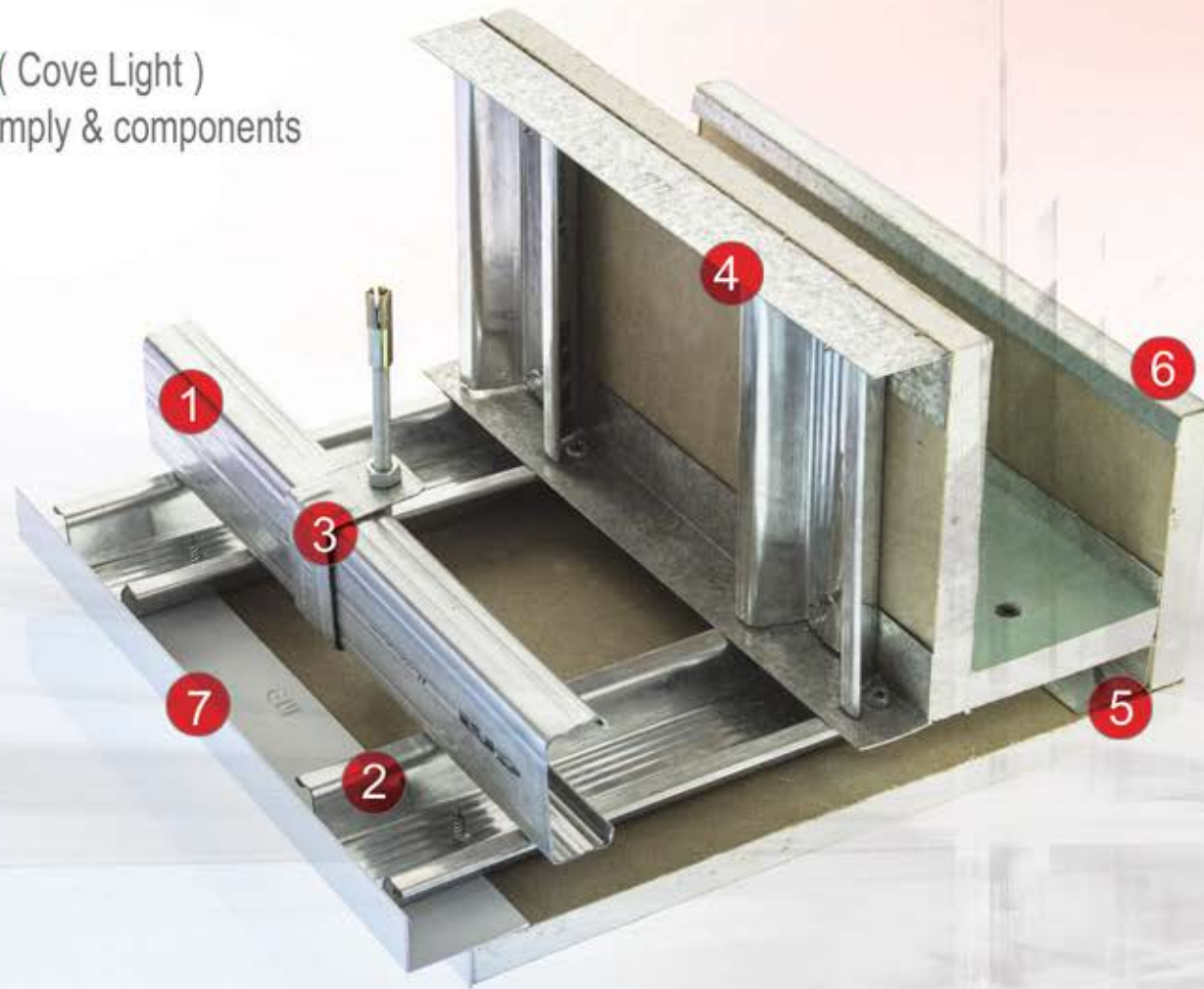
&

Accessories



Isolation Fitting Accessories for Gypsum Ceilings .

CO45 (Cove Light) System Assembly & components



Drywalls & Ceiling Systems

Components Details

- 1- Models: CH 45**
Main Carrier in
CO45 System & CD45 Systems
- 2- Model: G 19**
Secondary Carrier for CO 45 System
(Omega)
- 3- Model: UB 45**
U Bracket for hanging main carrier
for gypsum ceiling system CO38.
- 4- Model: GL 25**
Perimeter Angel for Gypsum Ceilings .
- 5- Model: CL 90**
Angle for straightening Cove Light
- 6- Model: End Bead**
Protective Angle for Gypsum Boards Edges .
- 7- Model: SG 20 (OPTIONAL)**
Shadow Gap Angle
for Bridging Gypsum Ceilings & Walls.



Connecting & Finishing Accessories

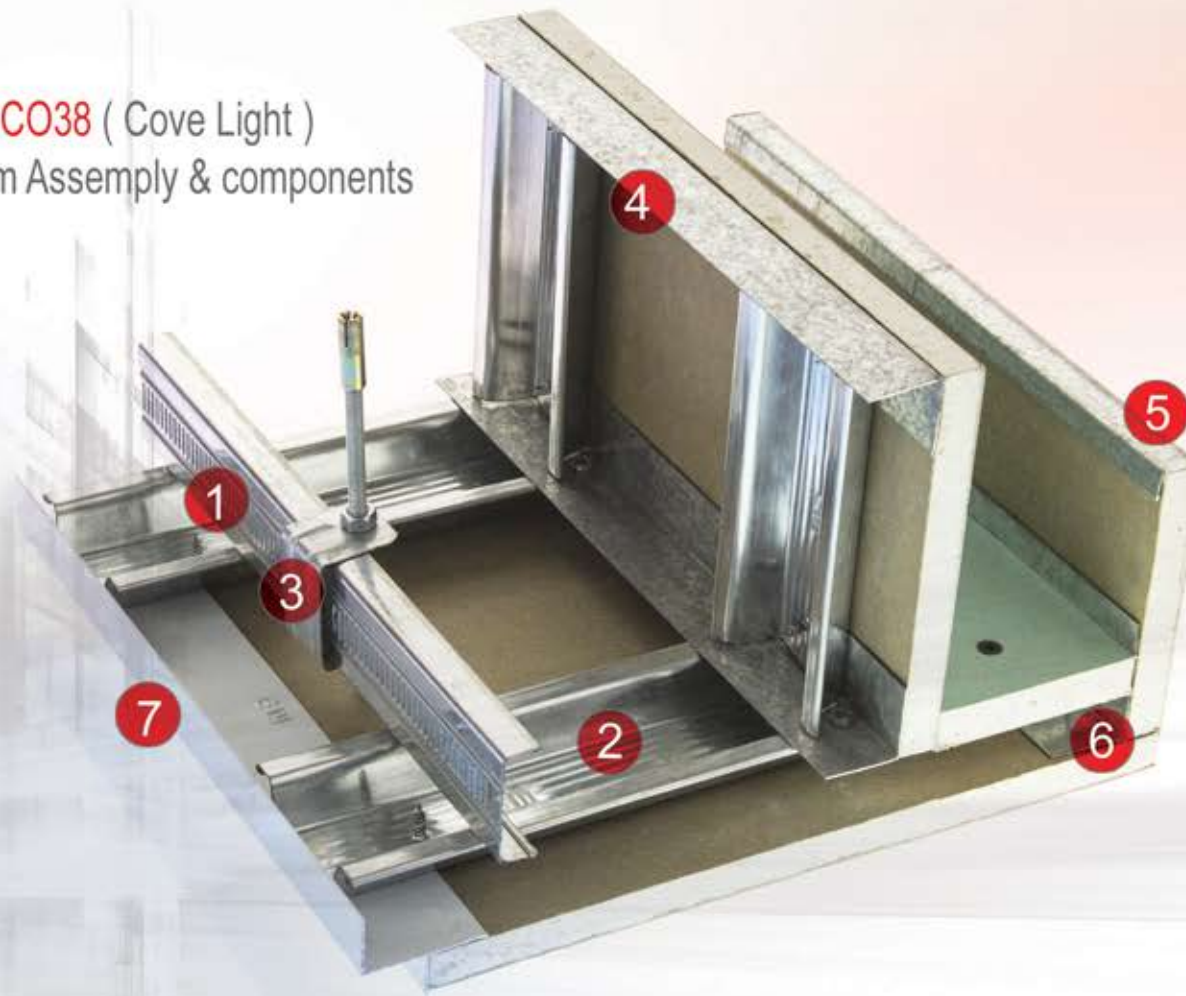


Drywalls & Ceiling Systems

Components Details

- 1- Model: CH 38
Main Carrier for Gypsum Ceilings for system CO38
- 2- Model: G 19
Secondary Carrier for CO 38 (Omega)
- 3- Model: UB 38
U Bracket for hanging main carrier
- 4- Model: GL 25
Perimeter Angel for Gypsum Ceilings
- 5- Model: End Bead
Protective Angle for Gypsum Boards Edges .
- 6- Model: CL 90
Angle for straightening Cove Light
- 7- Model: SG 20 (OPTIONAL)
Shadow Gap Angle for Bridging Gypsum Ceilings & Walls.

CO38 (Cove Light) System Assembly & components



Connecting & Finishing Accessories





Drywalls & Ceiling Systems



CO45 (BULK HEAD)
System Assembly & components

Components Details

- 1- Models: CH 45**
Main Carrier in CO45 System
- 2- Model: G 19**
Secondary Carrier for CO 45 System (Omega)
- 3- Model: UB 45**
U Bracket for hanging main carrier
- 4- Model: CL 90**
Perimeter Angel for Gypsum Ceilings .
- 5- SB 10**
Support Bracket
- 6- Model: End Bead**
Protective Angle for Gypsum Boards Edges .
- 7- Model: SG 20 (OPTIONAL)**
Shadow Gap Angle for Bridging Gypsum Ceilings & Walls.



Connecting & Finishing Accessories

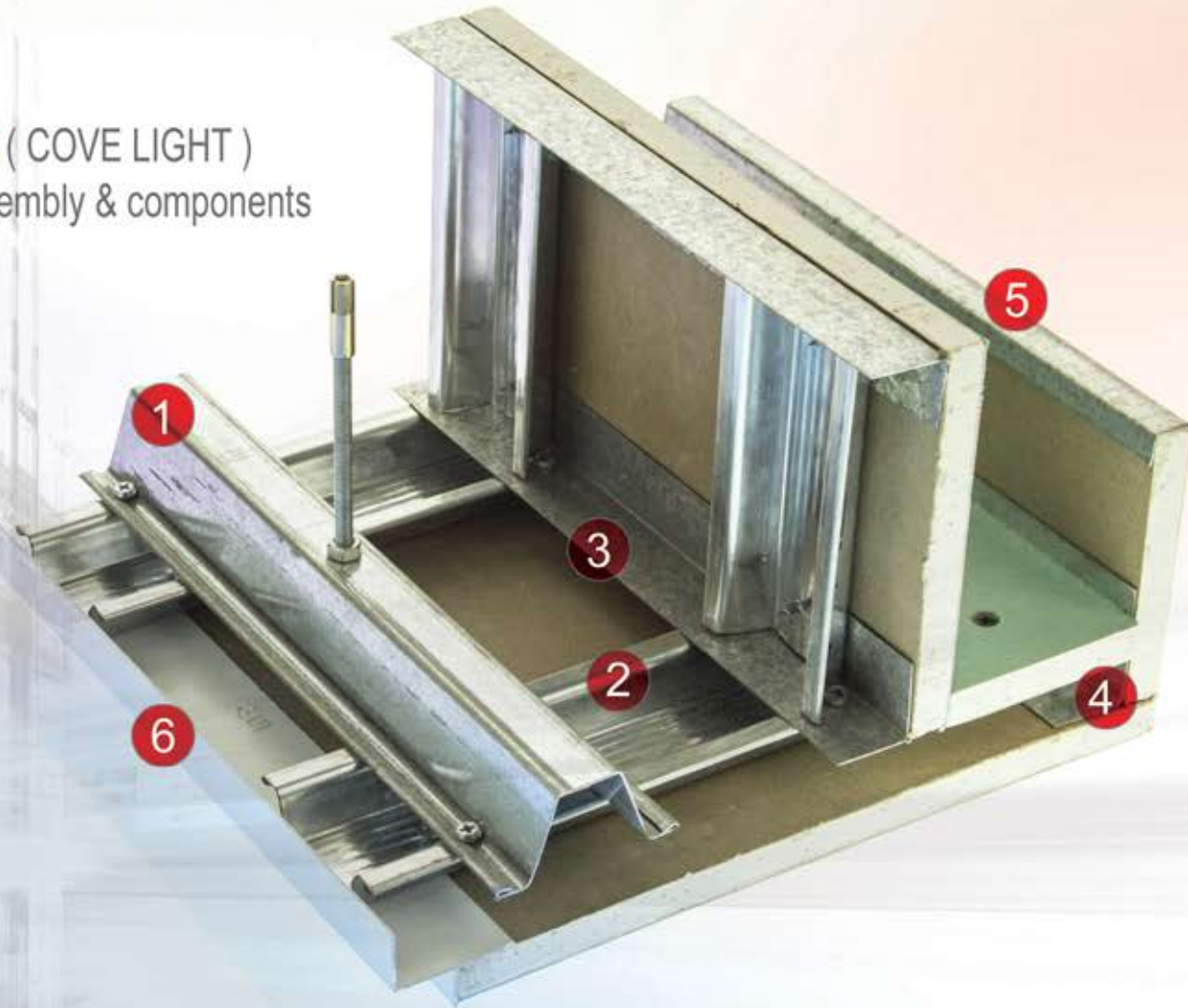


Drywalls & Ceiling Systems

Components Details

- 1- Model: G 120**
Main Carrier for Gypsum Ceilings for system GO 120
- 2- Model: G 19**
Secondary Carrier for GO 120 (Omega)
- 3- Model: GL 25**
Perimeter Angel for Gypsum Ceilings
- 4- Model: CL 90**
Angle for straightening Cove Light
- 5- Model: End Bead**
Protective Angle for Gypsum Boards Edges .
- 6- Model: SG 20 (OPTIONAL)**
Shadow Gap Angle for Bridging Gypsum Ceilings & Walls.

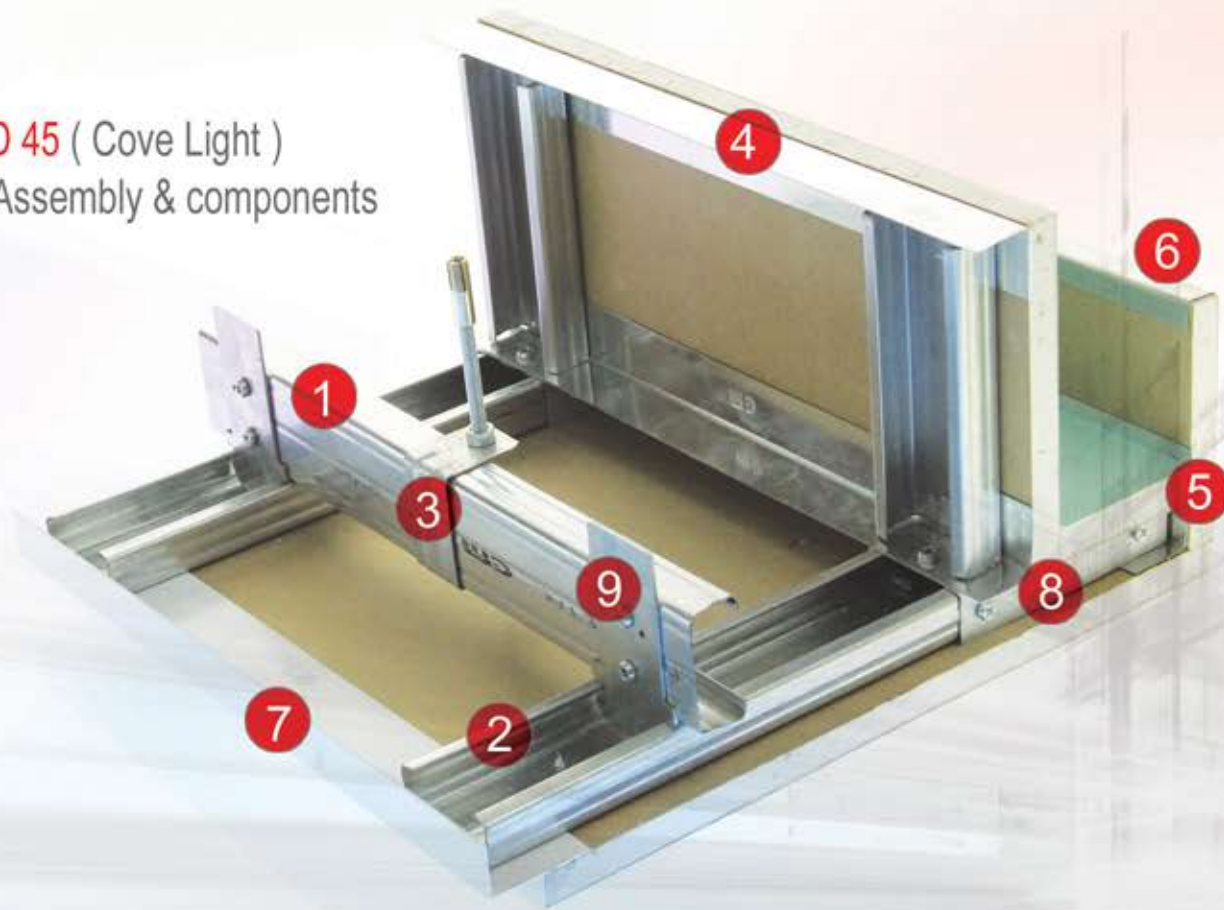
GO 120 (COVE LIGHT) System Assembly & components



Connecting & Finishing Accessories



CD 45 (Cove Light) System Assembly & components



Drywalls & Ceiling Systems

Components Details

- 1- Models: CH 45**
Main Carrier for CD45 Systems
- 2- Models: CH 45**
Secondary Carrier for CD 45 System
- 3- Model: UB 45**
U Bracket for hanging main carrier
- 4- Model: GL 25**
Perimeter Angel for Gypsum Ceilings .
- 5- Model: CL 90**
Angle for straightening Cove Light
- 6- Model: End Bead**
Protective Angle for Gypsum Boards Edges .
- 7- Model: SG 20 (OPTIONAL)**
Shadow Gap Angle
for Bridging Gypsum Ceilings & Walls.
- 8- Model: TK 45**
Connecting Vertical & Horizontal CH 45.
- 9- Model: HB 45**
Hanging Bracket for connecting
Main Carrier with Secondary Carrier



Connecting & Finishing Accessories



Drywalls & Ceiling Systems

Components Details

1- ST 50/ 70/ 90/ 100
Galvanized C shaped metal section used with U Track to provide vertical framework for partition.

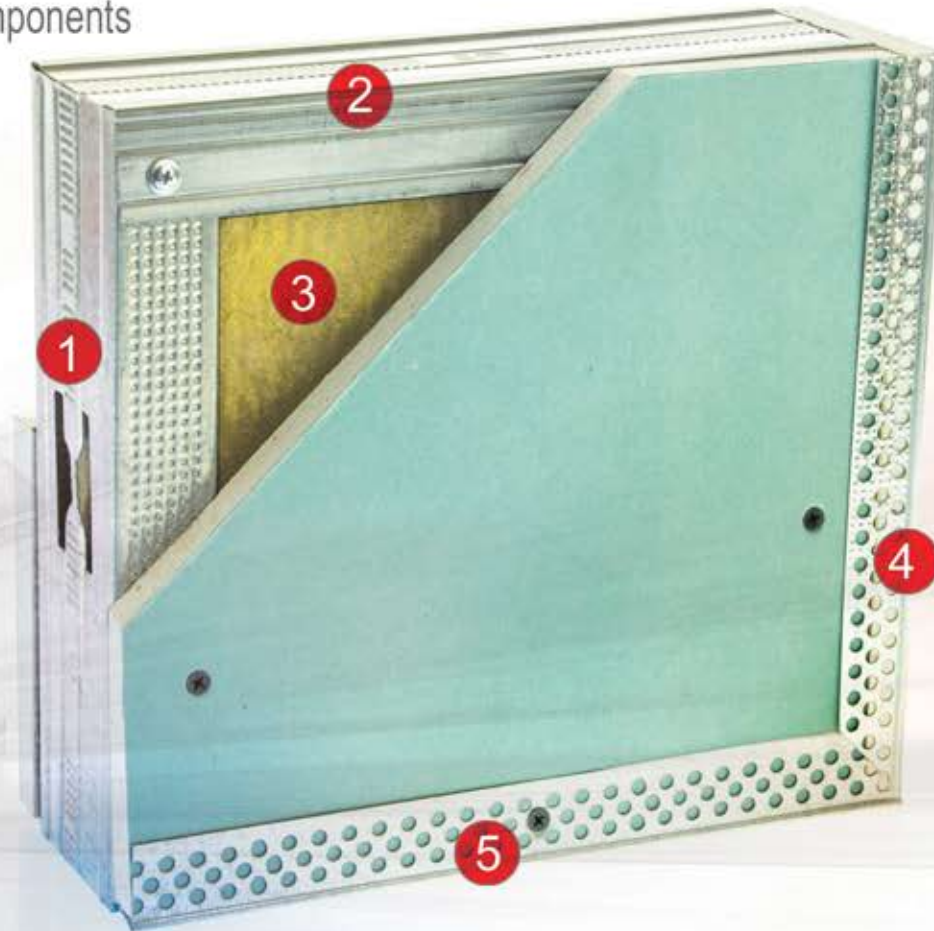
2- TK 50/ 70/ 90/ 100
Hot dipped Galvanized U shaped metal section used to receive ST Studs to provide framework for wall lining & partition.

3- ROCK WOOL Insulation

4- Model: Corner Bead
Protective Angle
for Gypsum Boards meeting Ends .

5- Model: L Bead
Protective Angle for Gypsum Boards Edges .

WP 101 (WALL PARTITION) System Assembly & components



Connecting & Finishing Accessories



Drywalls & Ceiling Systems

Components Details

- 1- Models: CH 45
VERTICAL STUD
for wall Partition Systems WL 201
- 2- Model: GL 25
Perimeter Wall Angle.
- 3- Model: L Bead
Protective Angle
for Gypsum Boards meeting Ends
- 4- Model: CB 45
Bracket for Wall Cladding Connection



WL 201 (WALL CLADDING)
System Assembly & components



Connecting & Finishing Accessories



Drywalls
&
Ceiling
Systems

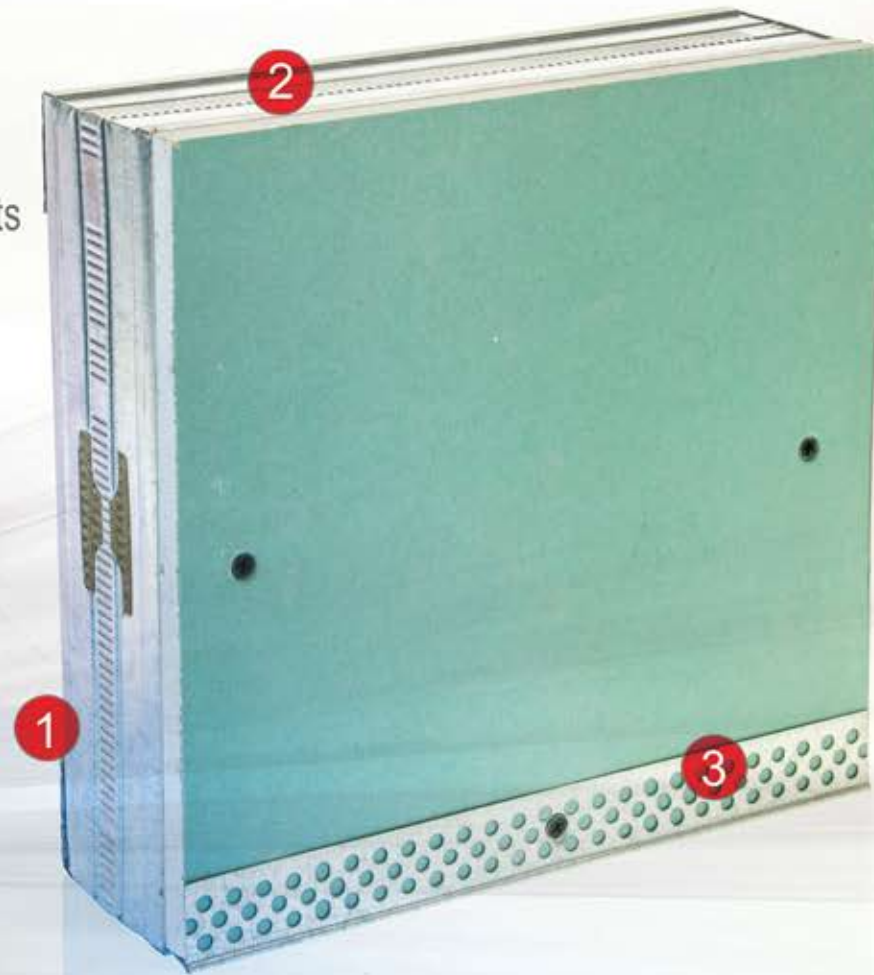
Components Details

1- ST 50/ 70/ 90/ 100
Galvanized C shaped metal section used with U Track to provide vertical framework for partition.

2 - TK 50/ 70/ 90/ 100
Galvanized U shaped metal section used to receive ST Studs to provide framework for wall lining & partition.

2- Model: L Bead
Protective Angle for Gypsum Boards Edges .

WL 202 (WALL CLADDING) System Assembly & components



Connecting & Finishing Accessories



Access Doors for Drywalls & Ceiling Systems



Gypsum Trap door for maintenance openings in the gypsum ceilings.
Model: D102



Wooden Trap door for maintenance openings in the gypsum ceilings.
Model: D101



Metal Trap door for maintenance openings in the gypsum ceilings.
Model: D103



Gypsum Works Applications



Gypsum Works Applications





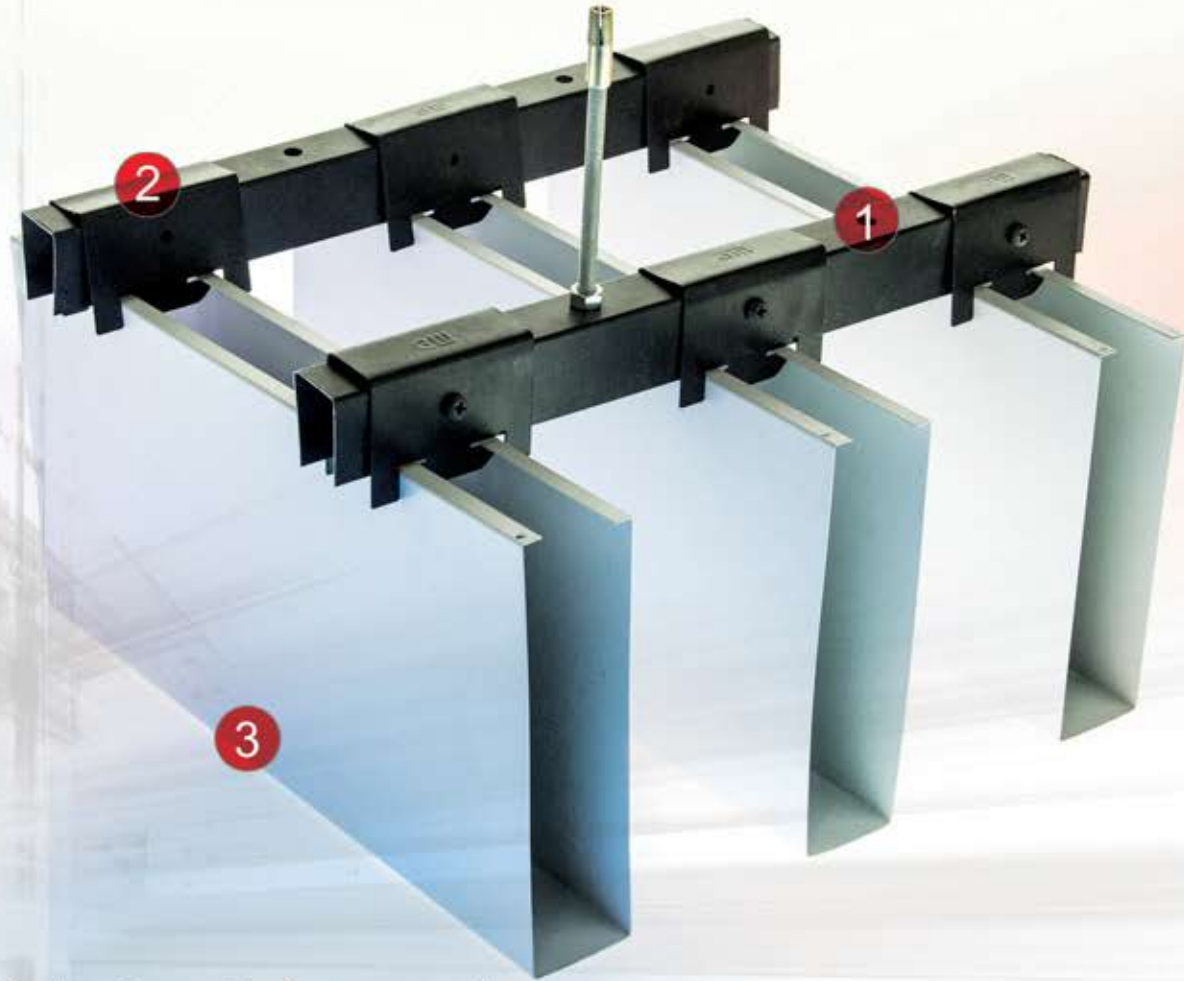
Metal Strips Ceiling Systems

Components Details

1- Models: CR 105
Main Carrier for Baffle System

2- Model: CBL
Fastening Bracket

3- Model: Baffle Panels



BAFFLE Strip System Assembly & components

Connecting Accessories

Screw
for
metal
frames



Threaded
Rod
&
Nut



Steel
Drop in
Anchor
(M6)



Metal BAFFEL STRIPS Systems



DIFFERENT SIZES & PATTERN FINISH





Metal Strips Ceiling Systems

Components Details

1- Model: CR 103
Main carrier for Assembling OL200

4- Model: OL 200
C Shaped Metal Strips Assembled
using carrier leaving 20mm spacing.

OL 200 Strip System Assembly & components



Connecting Accessories

Threaded
Rod
&
Nut



Steel
Drop in
Anchor



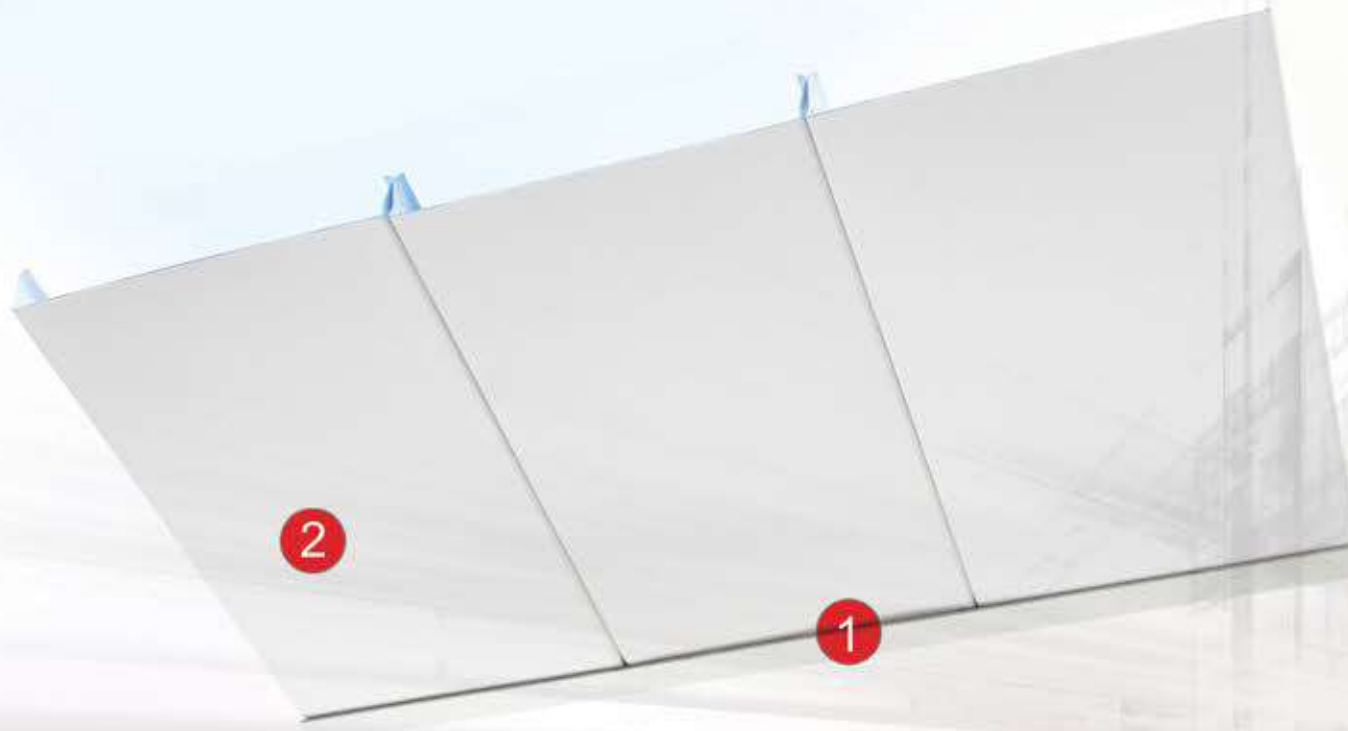


Metal Strips Ceiling Systems

Components Details

1- Models: WL 22
Perimeter Angel for Metal strips. ceiling

2- Models: C 100/ C 180/ C 200/ C 300
C Shaped Metal Strips Assembled
without carrier leaving " no space"
between Strips .



C SHAPE Strip System Assembly & components

The Simplest & Most Widely used Strip System



Metal Strips Ceiling Systems

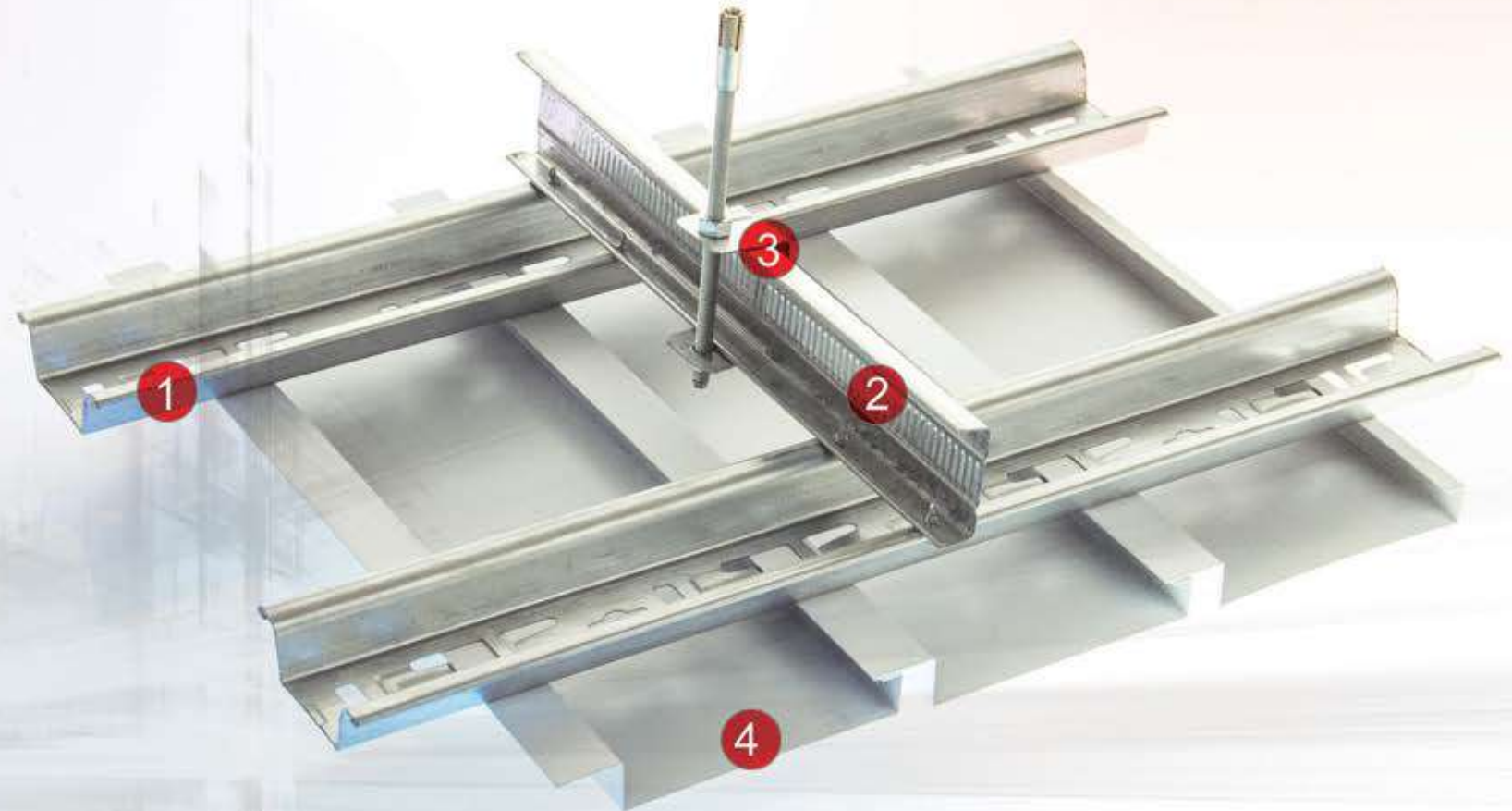
Components Details

1- Model: CR 102
Main Carrier for assembling Metal strips
(Z Shape)

2- Model: CH 38
Secondary Carrier for assembling
Metal Strips (Z Shape)

3- Model: UB 38
U Bracket for hanging main carrier to
structure ceiling

4- Models : Z 100/ Z 200/ Z 300
Z Shaped Metal Strips Assembled
using carrier leaving spacing 10mm.



Z SHAPE Strip System Assembly & components

Connecting Accessories

Screw
for
metal
frames



Threaded
Rod
&
Nut



Steel
Drop in
Anchor
(M6)





Metal Strips Ceiling Systems

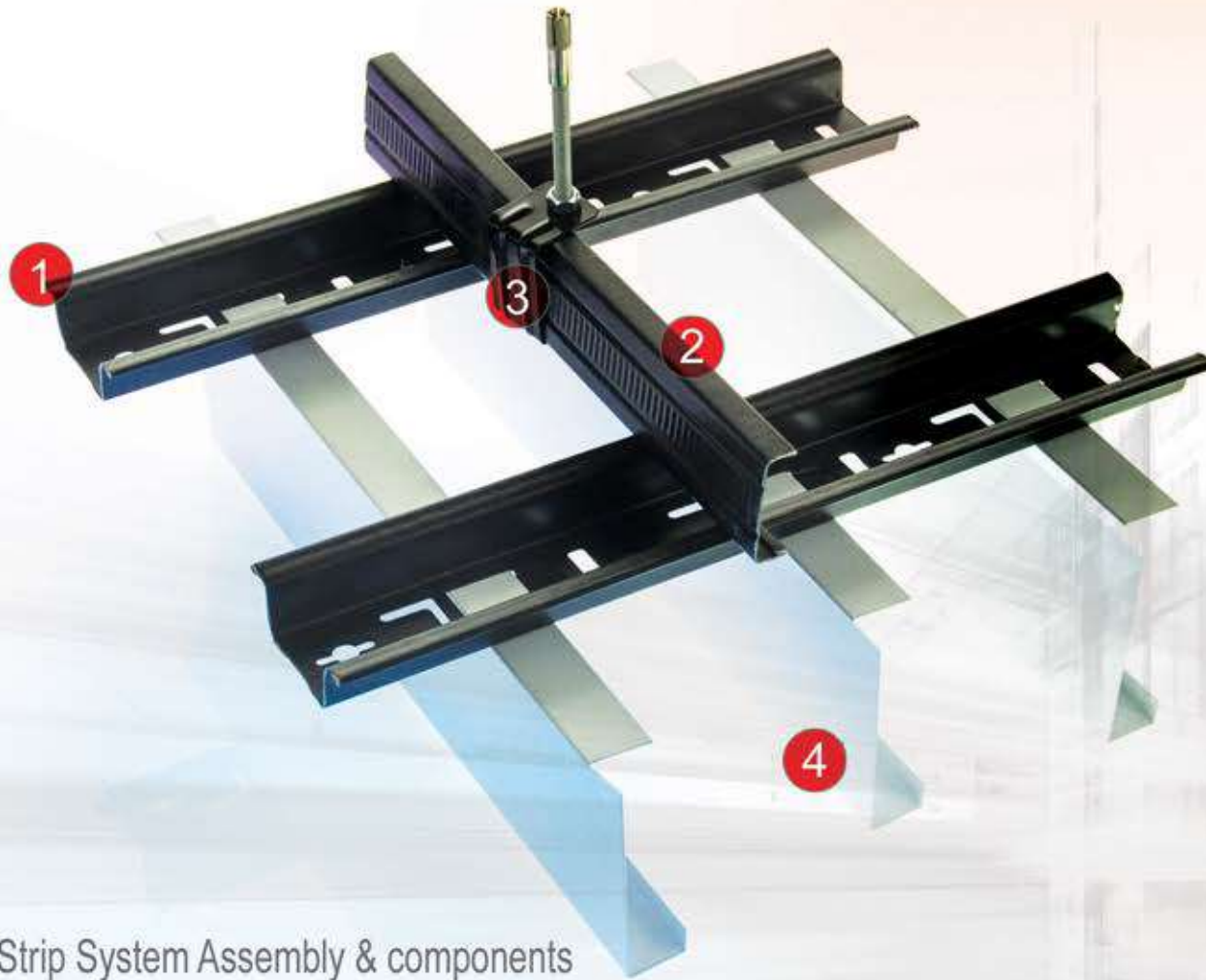
Components Details

1- Model: CR 102
Main Carrier
for assembling Metal strips (V 100)

2- Model: CH 38
Secondary Carrier for assembling
Metal Strips (V100)

3- Model: UB 38
U Bracket for hanging main carrier
to structure ceiling

4- Models : V 101 / V 102
V Shaped Metal Strips Assembled
using carrier leaving spacing 100mm.



V 101 & 102 Strip System Assembly & components

Connecting Accessories

Screw
for
metal
frames



Threaded
Rod
&
Nut



Steel
Drop in
Anchor
(M6)





Metal Strips Ceiling Systems

Components Details

1- Model: CR 106
Main Carrier for assembling Metal strips

2- Model : SS 100 Panels
Aluminium S Shaped Metal Strips
(Assembled)



SS Type Strip System Assembly & components

Connecting Accessories

Steel
Drop in
& Anchor



Threaded
Rod
&
Nut



Metal Strips Work Applications





Metal Tiles Systems



Metal Tiles Systems



Perimeter Angel
for ceiling Metal tiles & strips.
Models: WL 22



Butterfly for hanging main carrier
for exposed tiles system .
Model: Butter Fly



Hold Down Clip for Exposed Grid.
Model: HD

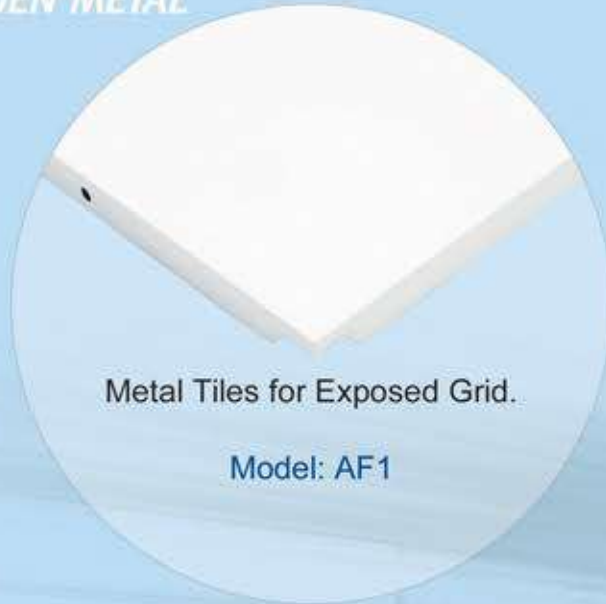


Shadow Gap angle
for Metal Ceilings.
Models: DL 2X1 / DL 2X2

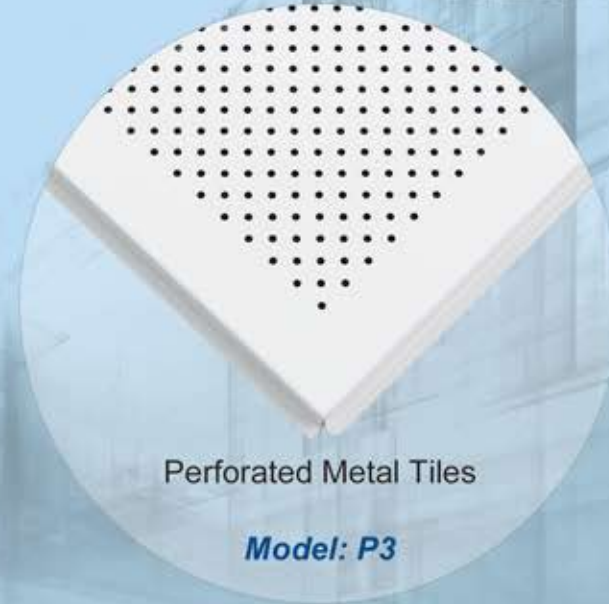
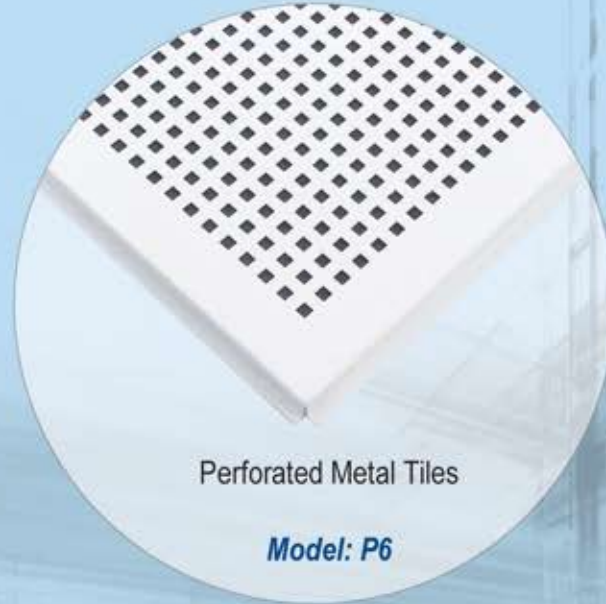
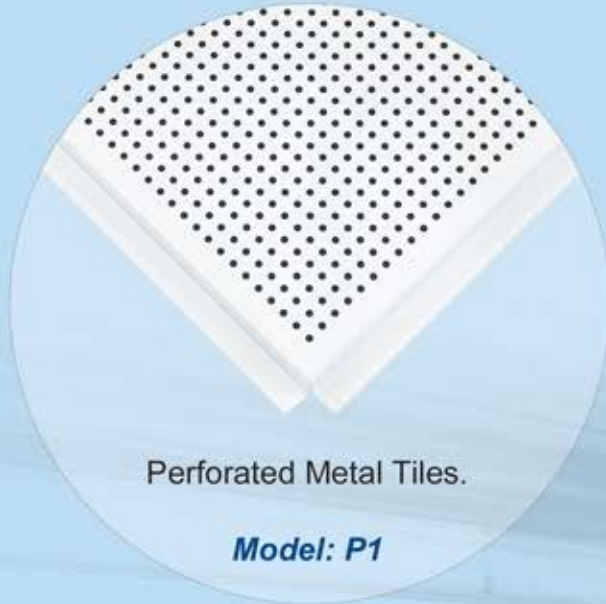


Hanging Article
for suspended ceilings .
Model: LB 1

Metal Tiles Systems



Perforated Metal Tiles Patterns





Tiles Works Applications

Beauty

&

Quality



Top Current & Past Projects



فندق كمبسنكى



اب تاون كايرو



فندق جولدن بلازا

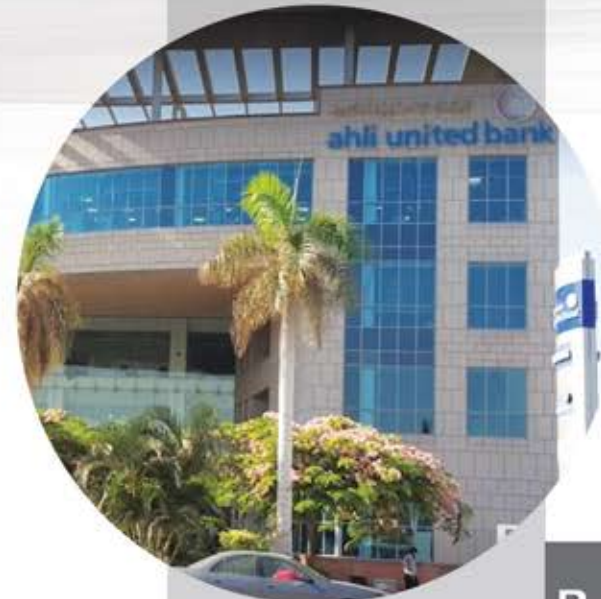
Our CLIENTS ARE OUR BACKBONE



الكيان العسكرى



مستشفى السعودى الالمانى



البنك الاهلى المتحد

Top Current & Past Projects

الإستشارى	المقاول العام	العنوان	أسم المشروع
صبور ماهر اندراوس - خطيب و علمى ECG-RMC	متعدد ACC - متعدد -أبناء علم	العاصمة الإدارية المقطم	الكيان العسكرى UP TOWN CAIRO
رافت ميلر - العمار الاستشارية - اعمار مصر RMC - خطيب و علمى العمار الاستشارية - خطيب و علمى ECG	متعدد - متعدد - ACC - علم CCC	التجمع التجمع 6-Oct سيدى عبدالرحمن كورنيش النيل	New Office – كايروفيستفال Parcel 6,18 – مافيدا سوديك مراسى – اعمار مصر الديار القطرية - نایل كورنيش
إيهاف	انتجريت	المعادى	سيكون تاور
ضياء كونسلت Disgner	ابناء علم – المقاولون العرب - متعدد طلعت مصطفى – ابناء علم	السخنة القاهرة	منتجع الجلالة -الفندق الساحلى أرض المعارض الجديدة
د / تامر الجبالى حسين صبور رافت ملير رافت ملير ECG	ابناء علم ابناء علم جاما متعدد أوراسكوم	العالمين العالمين طنطا ط مصر اسكندرية مدينة نصر	المنصورة 4 المنصورة 5 مول طنطا نيو جيزة فندق دار الإشارة
جامعة بدر كوزموس - اكليجو	المالك ايدج	بدر الشيخ زايد	جامعة بدر مشروع مجرة
كلية الهندسة -جامعة اسيوط الدراسات التخطيطية بيت الخبرة Disgner	المقاولون العرب ديتاك أوراسكوم ابناء علم	اسيوط مدينة نصر مدينة نصر التجمع الخامس	مركز القلب – اسيوط هينة الإستثمار مستشفى دار الفؤاد الجديدة قاعة المؤتمرات الجديدة – محور المشير
عساف الرباط ايهاف مكتب د / محمد الحويطى	الوالى – نيو شارم الرباط ابناء علم المالك	التجمع الخامس التجمع الخامس 6-Oct الاسكندرية	مول لاروا المركز الطبى – ميديكال بارك شلميرجير مستشفى البيت – ابيس



Top Current & Past Projects

الإستشارى	المقاول العام	العنوان	أسم المشروع
SPACE ايهاف المالك	المقاولون العرب سيك المالك	التجمع الدراسة التجمع الأول	مول ضاحية الشرق مكتبة الأزهر فندق رويال ماكسيم
Korean Office انبي شركة النور للإستشارات	شركة جاما غاز مصر ديتاك	العاشر من رمضان القاهرة التجمع الخامس	LG مصنع مبنى غاز مصر البنك الأهلى المتحد
Lake view Hotel سيجمان د / تامر الجبالي	Lake view Hotel متعددون المهندسون المصريون	التجمع الخامس القاهرة العبور	Lake view Hotel مدينة زويل الجولف مول
IHCC مستشفيات جامعة القاهرة	IHCC وادي النيل	النزهة الجديدة العبور	مستشفى السعودى الألمانى مستشفى العبور الجامعى فندق الماسة
ECG ديار ديار د / مصطفى جبر – دار الخبرة	أوراسكوم المراسم المراسم ماس	العاصمة الإدارية مدينة نصر مدينة نصر الاسكندرية	كلية الصيدلة – مدينة البعوث كلية الأسنان – مدينة البعوث مستشفى الكلى – أبيس
ديار د / همام سراج الدين الرياض	بروتكشن الرياض	المنيا التجمع	جامعة دراية مدرسة بداية
سيجمان سيجمان المالك	التبرك التبرك القطامية للاستثمارات العقارية	الفيوم الفيوم التجمع الخامس	كلية صيدلة الفيوم كلية تمريض الفيوم داون تاون مول
الدراسات التخطيطية استشارى كورى	شركة البنا للمقاولات سيك	أكتوبر 6 مسطرد	مينى اليونسكو ERC



Our

CLIENTS

ARE

OUR

BACKBONE



Top Current & Past Projects



الإستشارى	المقاول العام	العنوان	أسم المشروع
كوزموس المالك	سيك شركة بي تك	طريق الدائرى العبور	مركز خدمة و معرض عبور - هونداى مصنع كوياد للأدوية
الشركة المتحدة - المالك المركز العلمى - د.حماد	وادى النيل البناء للمقاولات	القصر العينى المعادى	معهد الأورام مبنى ضريبة المبيعات
أنبى د / علاء سرحان	شركة بتروجت شركة ديتاك	التجمع الخامس الزاوية الحمراء	المبنى الإدارى لشركة ميدتاب مكتبة مصر
لواء . د / اشرف فطيم لواء . د / اشرف فطيم	السلام سيك	الاسكندرية البحيرة	مستشفى العجمى مستشفى كوم حمادة
كوزموس	جاما	السخنة	مصنع حديد المصريين
ECG أنبى	المالك أنبى	6-Oct الكيلو 54	مصنع يونيليفر نادى انبى
لواء . د / اشرف فطيم لواء . د / اشرف فطيم	صالح النوبى إجى فار للأدوية	الأقصر الأقصر	مستشفى العديسات مستشفى اسنا
المالك	شركة جاما	العبور	مصنع إجى فارم للأدوية
مكتب هويدى بيت الخبرة	شركة سبيد للمقاولات بروتكشن	أكتوبر 6 أبو رواش	مصنع ايديتا الشركة المصرية للسيارات
ECG	مدار	الضبعة	محطة كهرباء الضبعة
ECG	الرواد	بنى سويف	محطة كهرباء بنى سويف
أوراسكوم	تيسن كروب	العين السخنة	مصنع عز السخنة



OUR CURRENT LOCATIONS

المركز الرئيسي
الإدارة و المصانع : بمدينة العبور قطعة رقم 21 بلوك 12001 القاهرة
موبيل / 01016006612 - 01016006602
e.mail : ceiling-sales@goldenmetalgroup.com

فرع المؤسسة
شارع مؤسسة الزكاة - محطة أحمد سلامة
موبيل / 01016006601 - 01016006605

فرع فيصل
نزلة دائري المربوطية - نزلة العاصي - ش كوبري 4 - خلف حديد عز
موبيل / 01061608200 - 01016006604

فرع الاسكندرية
على دائري الاسكندرية / أبيس
موبيل / 01021843335

فرع طنطا
نزلة محلة مرحوم - طريق الاسكندرية الزراعي
موبيل / 01118396402 - 01002691845

فرع مرسى مطروح
أمام محطة السوبر جيت
موبيل / 01118396402 - 01002691845

Join The GM Wining Team



www.goldenmetalgroupp.com